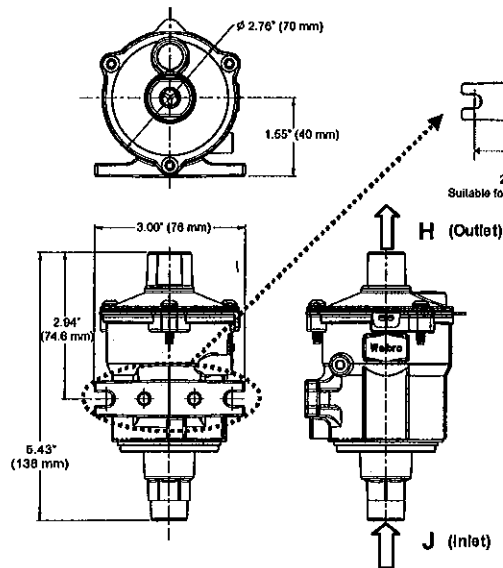


# OVERALL DIMENSIONS, MOUNTING DETAILS AND FITTING LOCATIONS

## FRA & FRD



## FRB & FRC

